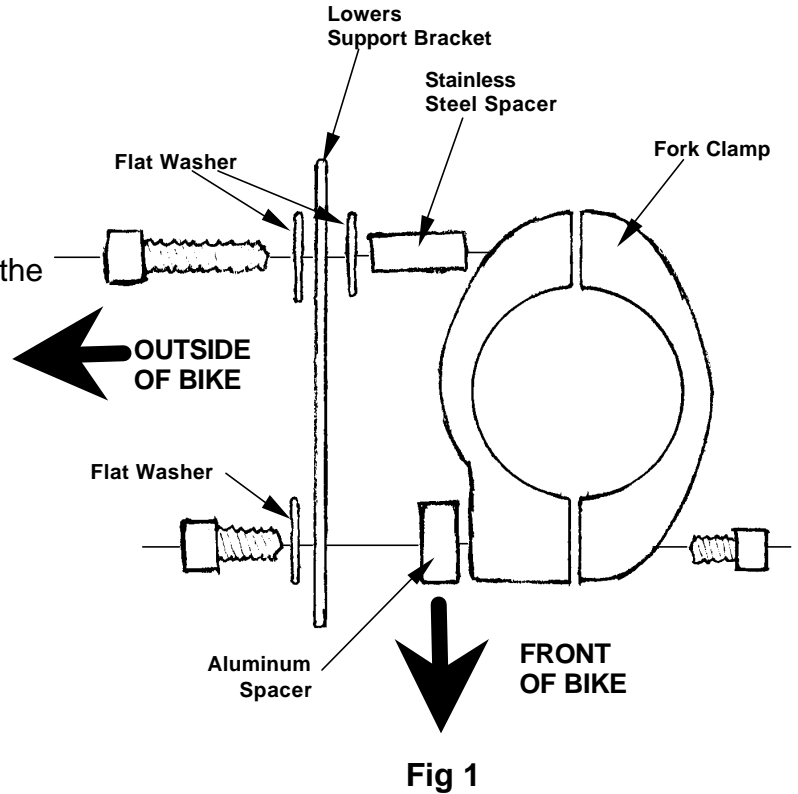
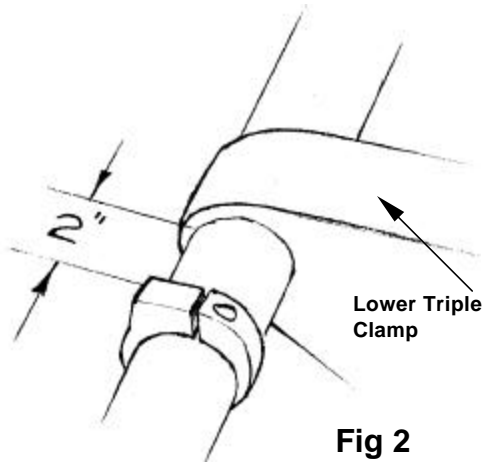


## Suzuki M109 R Lowers Mounting Instructions

1. Disassemble the aluminum fork clamps (Discard the thin spacers between the clamp halves, if present). Loosely install the clamps onto the fork tubes. The clamps should be positioned 2" below the lower triple clamp. See figures 1 and 2.



2. Install the lowers onto the installed fork clamps. See Figure 3. Position the lowers to angle back about 10 degrees. Tighten all of the mounting screws. Rotate the forks from lock to lock checking to see that the lowers do not contact any part of the motorcycle.

