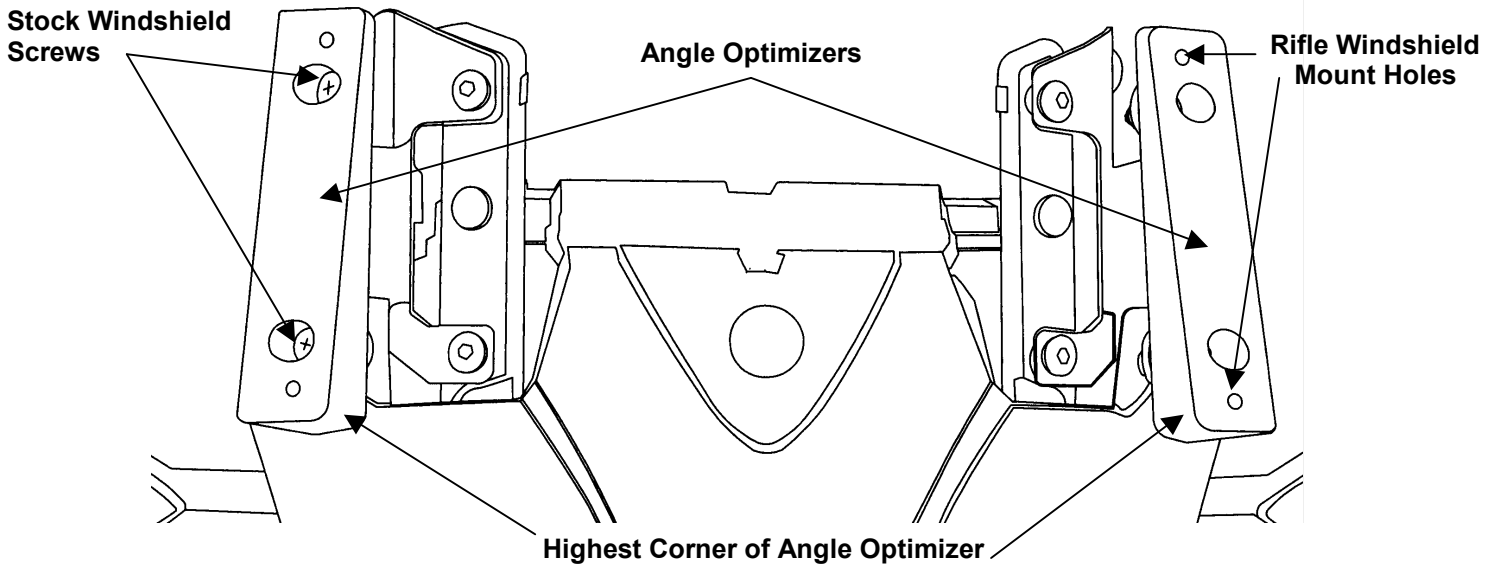


Yamaha Super Tenere Replacement Windshield System (2014-) Mounting Instructions

1) Remove the stock windshield. Locate the Rifle "Angle-Optimizers". They are mirror opposites. Select one Optimizer and locate the tallest corner. This corner will be at the bottom inside when installed onto the windshield/fairing brackets on the bike. Use the factory windshield screws to install the Optimizer into the same holes as the stock windshield mounts. Repeat for the other side. See Figure 1.

Figure 1



2) Locate a windshield mask, a 5mm black nylon screw, and an opaque/clear Snap Cap Washer. Push the nylon screw through the washer, through the top hole in the mask and the corresponding top hole in the Rifle windshield. Confirm the lip on the washer is pointing outward. Hand thread the screw into the Rifle Optimizer top windshield mount hole. Continue with the remaining holes. Tighten snugly do not over tighten. Install black Snap Cap Covers. See Figure 2.

Note: The angle of the mask bottom follows the angle of the bottom of the windshield.

